

# Agilent Y1226A Rack Mount Kit Installation

This installation note contains procedures for installing the Y1226A Rack Mount Kit for the Agilent M9505A 5-slot AXle Chassis in a standard EIA rack.

## Parts List

The parts included with each rack mount adapter option and the support rail are shown in the following table:

Quantity	Description	Part Number
1	Rack Flange Kit	M9505-00020
6	Rack Flange Screws Flat Head	N/A
2	Support Rails	M9018-00001
8	Channel Nuts (for support rail-to-rack)	0590-0804
4	Support Rail-to-Rack Screws - 10-32 x 0.5	2680-0278
4	Dress Adapter Screws for rack flanges	E9900-06001

## General Guidelines

In rack mounting the chassis, follow these guidelines:

- 1 Always begin installing the chassis and heavy instruments at the bottom of the rack and work up. This maintains a lower center of gravity and reduces the possibility of the rack tipping.
- 2 Anti-tipping feet, if available with the rack, should always be extended.
- 3 The heaviest instrument of chassis should always be mounted at the bottom of the rack.
- 4 For maximum cooling and optimum rack thermal efficiency, place the instrument or chassis with the greatest power consumption towards the top of the rack. This promotes efficient cooling since heat rises when placed nearer to the top of the rack, high power instruments will not unnecessarily heat other instruments. However, in doing this, do not violate the guideline that the heaviest instruments should be placed at the bottom of the rack.
- 5 If instruments or modules in the chassis are consuming maximum power, 1U of rack space is required for ventilation below the chassis.



**Agilent Technologies**

## Procedure

- 1 The M9505A AXIe chassis has two carry handles which must be removed before removing the plastic bumpers. Remove the two #2 Phillips screws securing the carry handles. See Figure 1.
- 2 Remove the #2 Phillips screws from each side of both bumpers. See Figure 1.

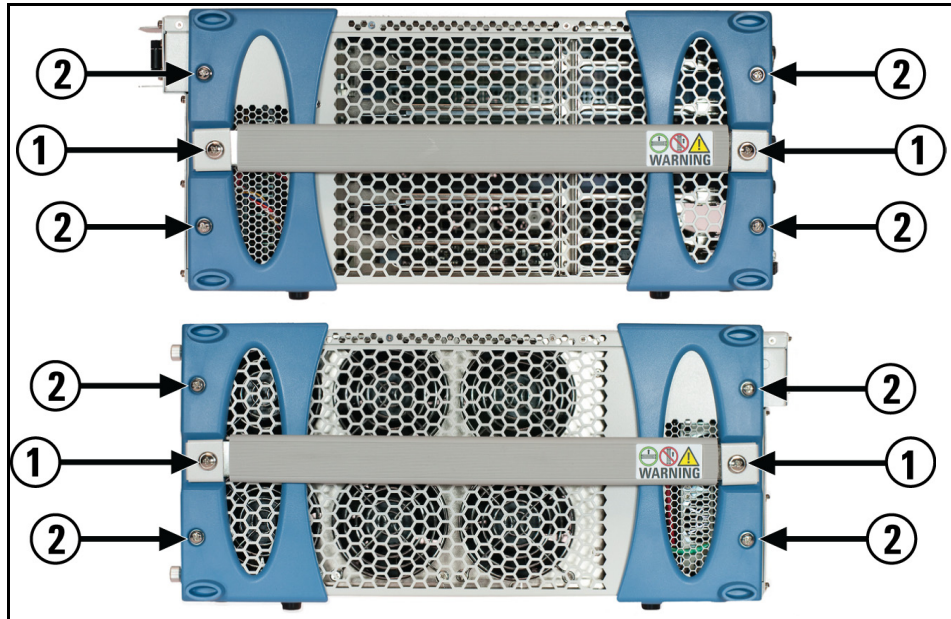


Figure 1 . Removing the Carry Handles and Bumpers

- 3 Remove the three #1 Phillips flat head screws from the top of each bumper. See Figure 2.

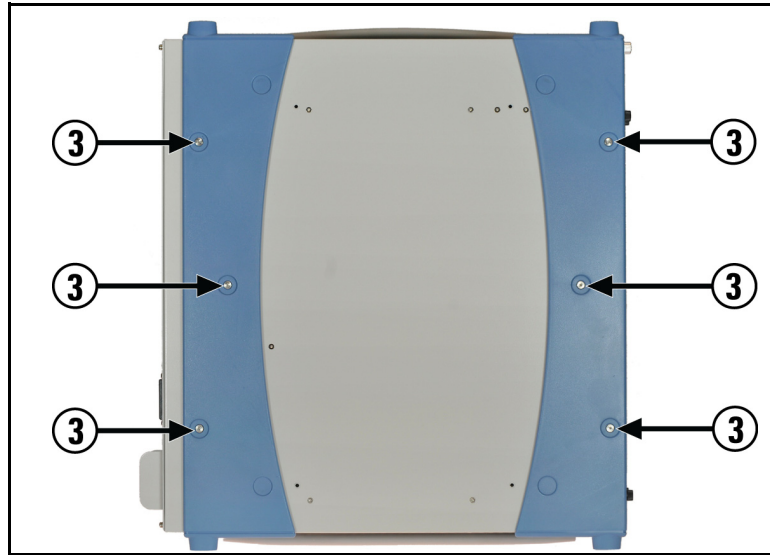


Figure 2 . Removing the Chassis Bumpers

- 4 Carefully turn the chassis onto its top. Remove the four plastic feet from the bottom of each bumper. Each foot is attached to the chassis through the bumper with a small #2 Phillips screw retained at the back of the foot with a plastic washer. Loosen each screw just enough to disengage it from the chassis. The foot, screw and washer will remain intact. See Figure 3.

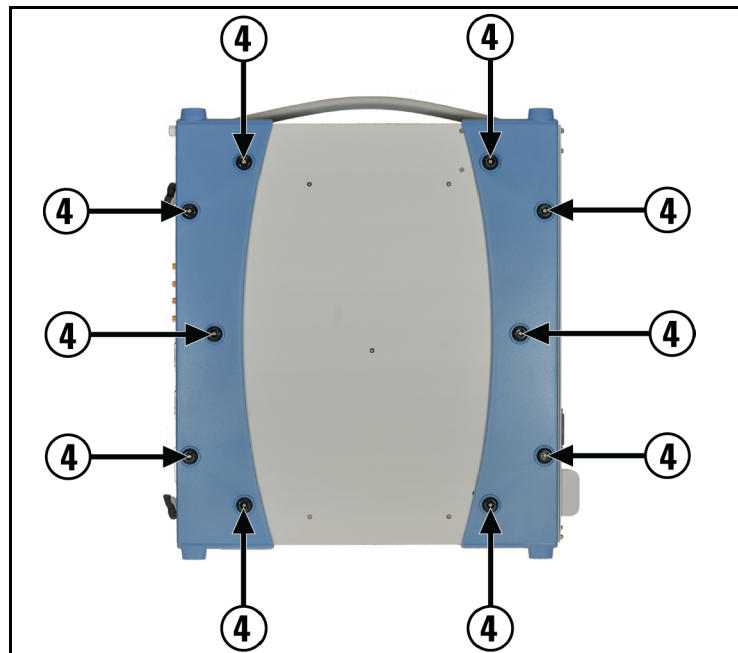


Figure 3 . Removing the Chassis Bumpers

- 5 Slide the bumpers off the chassis.
- 6 Using the rack mount flanges as templates, position the flanges on the rack's vertical columns where the chassis is to be mounted. Align the adapter holes over the "center" holes of the EIA rack units. Slide channel nuts over the rack holes to be used by the rack mount flanges. See Figure 4.

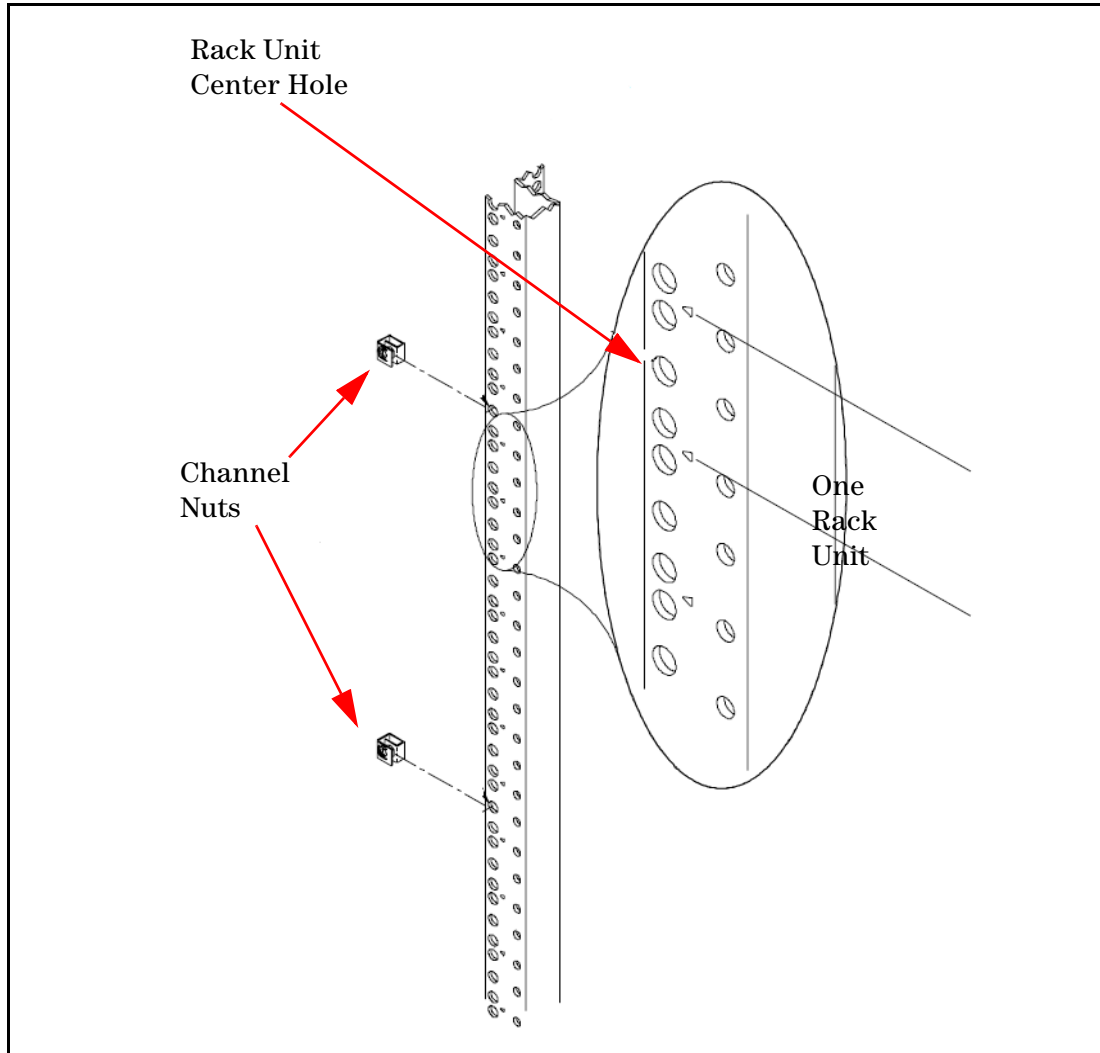
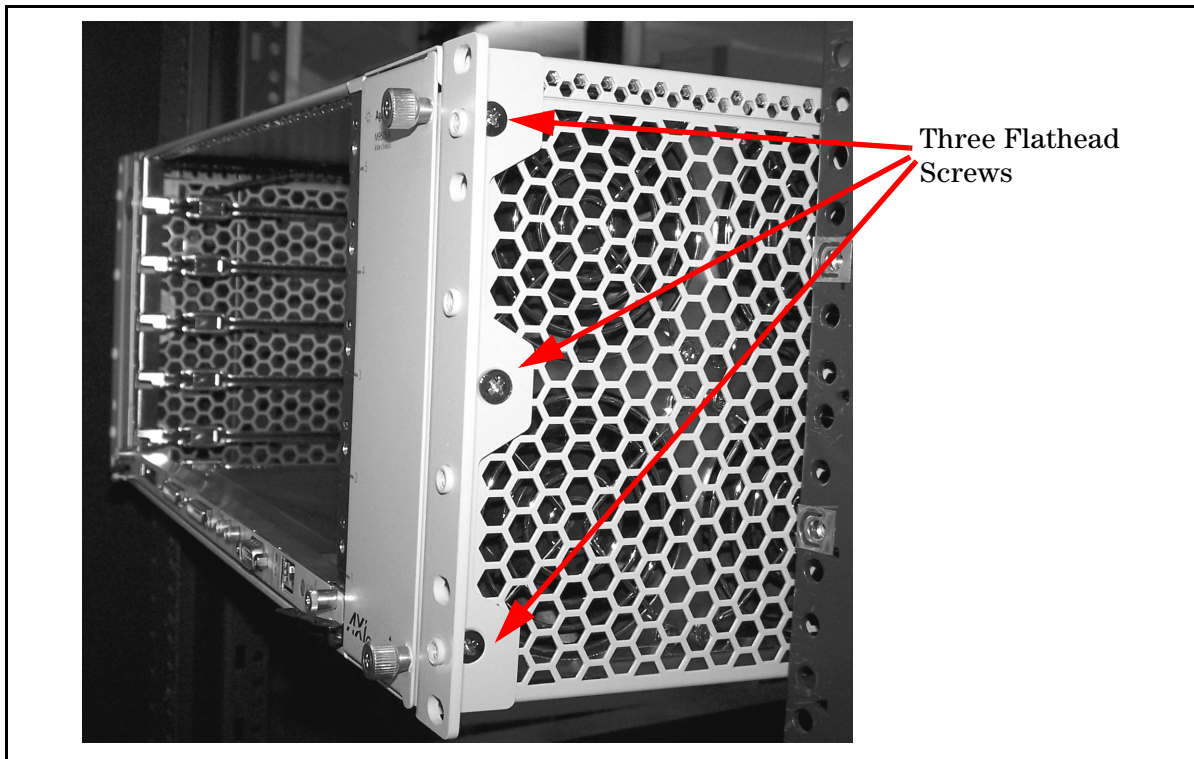


Figure 4 . Center Holes of EIA Rack, Attaching Channel Nuts

- 7 Attach the rack mount front handle flanges to the chassis. Refer to Figure 5.



**Figure 5 . Attaching Rack Mount Flanges to M9505A Chassis**

- 8 Position the rails on the rack's vertical columns where the chassis is to be mounted. Align the adapter holes over the "center" holes of the EIA rack units.

**NOTE**

**INSTALL THE SUPPORT RAILS UPSIDE DOWN IN THE RACK! To provide adequate air flow to the ventilation holes on the sides of the chassis, you must install the rack slides upside down as shown in Figure 6.**

- 9 Slide channel nuts over the rack holes to be used by the support rails.
- 10 Attach the support rails **UPSIDE DOWN** to the rack's inside vertical columns. Use four channel nuts and the four 10-32 x 0.5 support rail-to-rack pan head screws as shown in Figure 4.
- 11 Set the chassis onto the support rails.

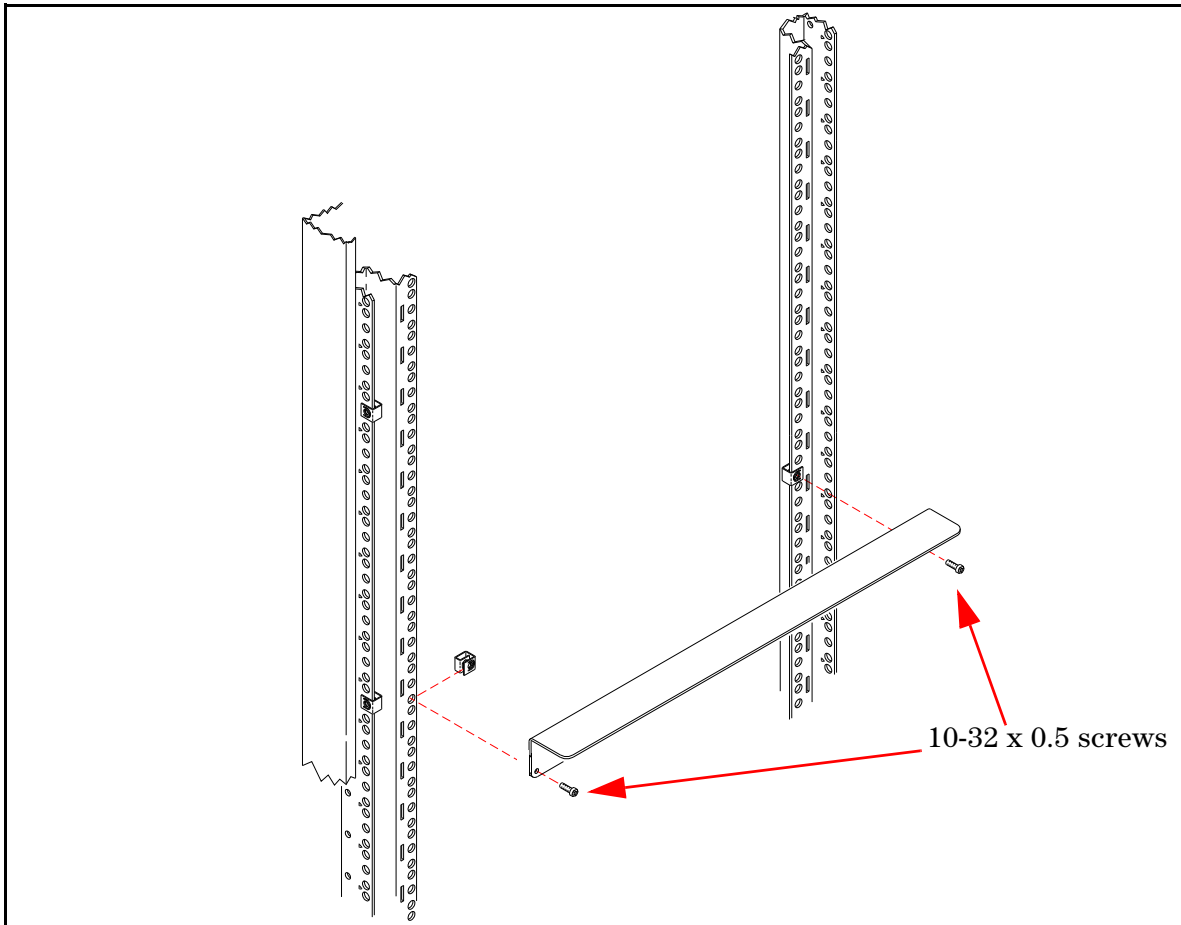
**WARNING**

**To prevent injury during rack mounting, the chassis should be empty and two people should lift the chassis into the rack.**

- Slide the M9505A chassis into the rack until the rack mount front handle flanges are against the rack's vertical columns. Secure the chassis to the rack using the adapter dress screws.

**NOTE**

If the rack will be moved excessively or over long distances, you should use a strap to secure the chassis to the rack slides.



**Figure 6 . Attaching the Support Rails to the Rack.**

Agilent Technologies, Inc. 2011  
Printed in U.S.A / Malaysia  
March 2011



Manual Part Number: Y1226-90001



**Agilent Technologies**